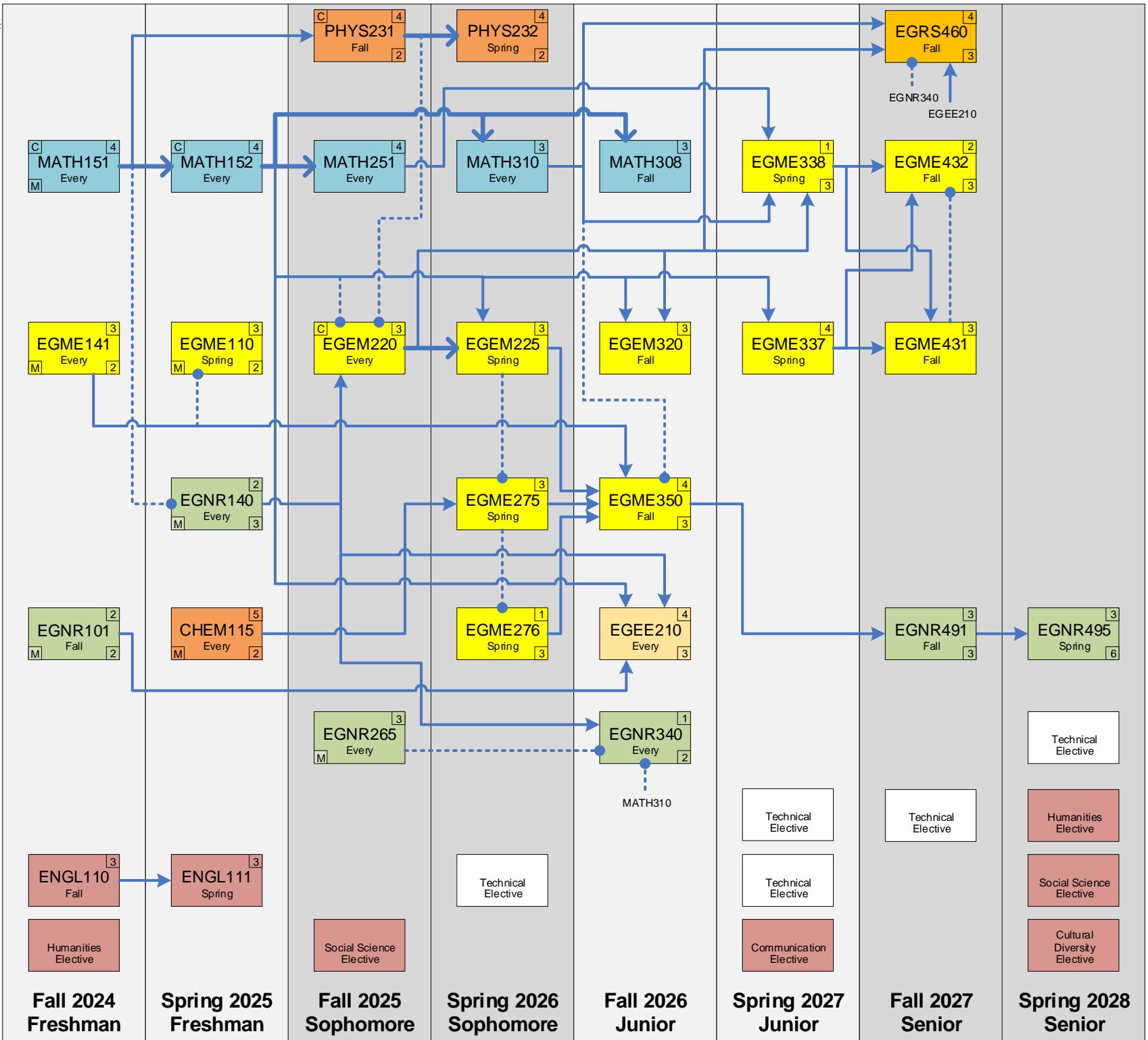
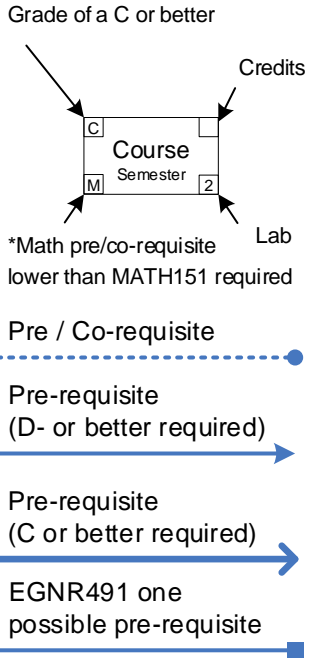


Mechanical Engineering
Core Courses
Even Year Start

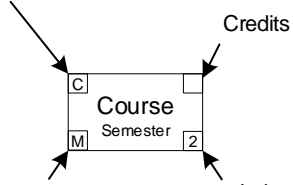


*More course details, including other lower Math prerequisites, can be found online lssu.edu/catalog/courses/

Mechanical Engineering

Technical Electives
Even Year Start

Grade of a C or better



*Math pre/co-requisite lower than MATH151 required

Pre / Co-requisite

Pre-requisite (D- or better required)

Pre-requisite (C or better required)

EGNR491 one possible pre-requisite

EGNR140
Every
3

MATH251
Every
4

MATH152
Every
4

EGNR265
Every
3

EGME110
Spring
3

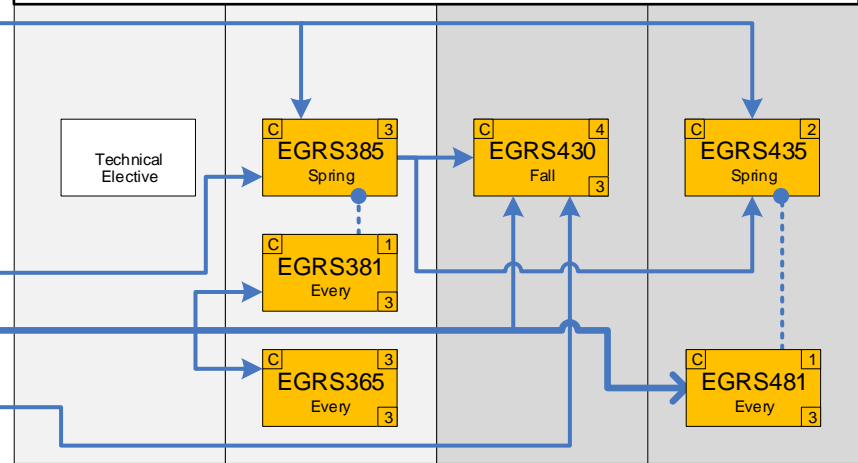
EGNR340
Every
2

EGEM320
Fall
3

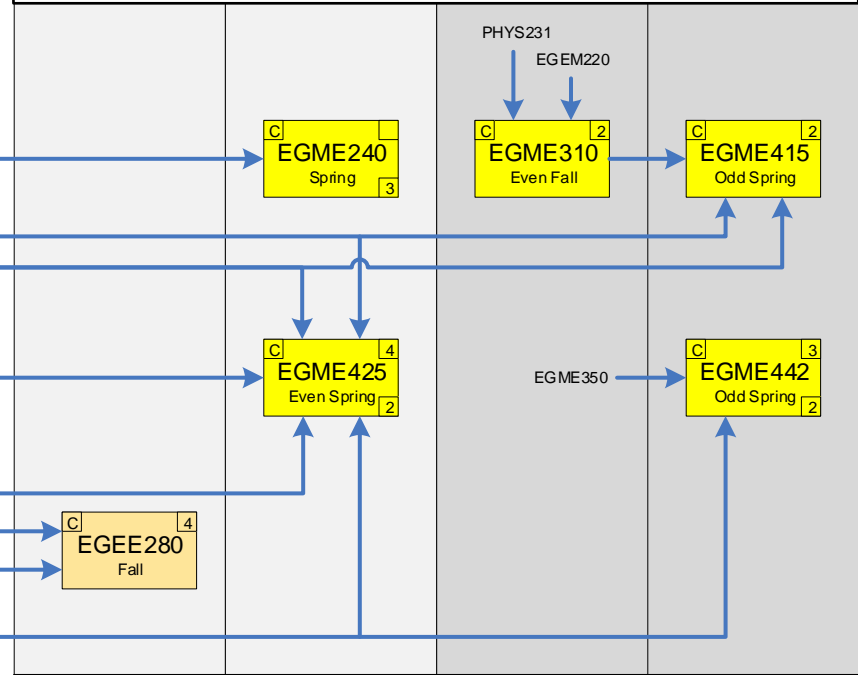
EGEM225
Spring
3

MATH310
Every
3

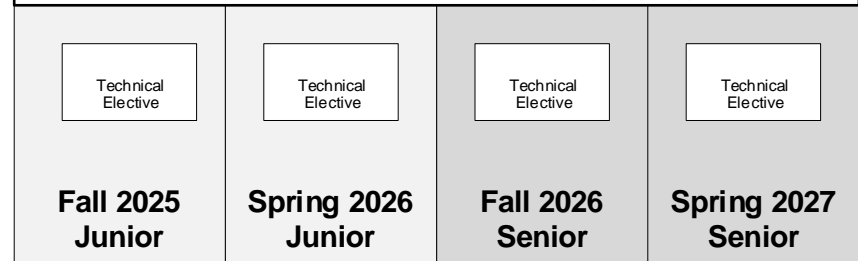
Robotics & Automation Concentration (17 cr)



Vehicle Systems Concentration (18 cr)



General Concentration (17 cr)



Technical Elective List

- EGEE280, EGEE310, EGEE330, EGEE345, or EGEE411
- EGMT216
- EGME240, EGME310, EGME415, or EGME425
- EGNR261, EGNR361, EGNR310, EGNR346, or EGNR490
- EGRS215, EGRS305, EGRS325, EGRS365, EGRS372, EGRS375, EGRS385, EGRS430, EGRS435, or EGRS461

Any course from concentrations